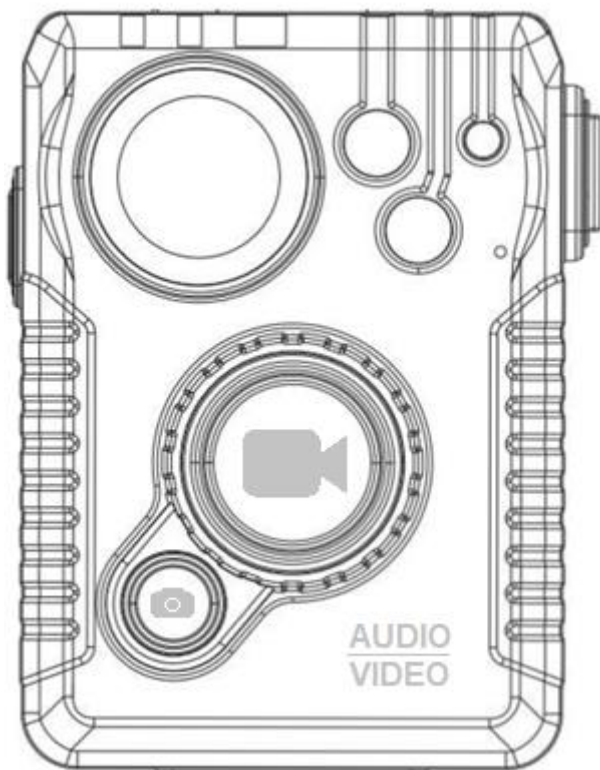


The Partner

MK4

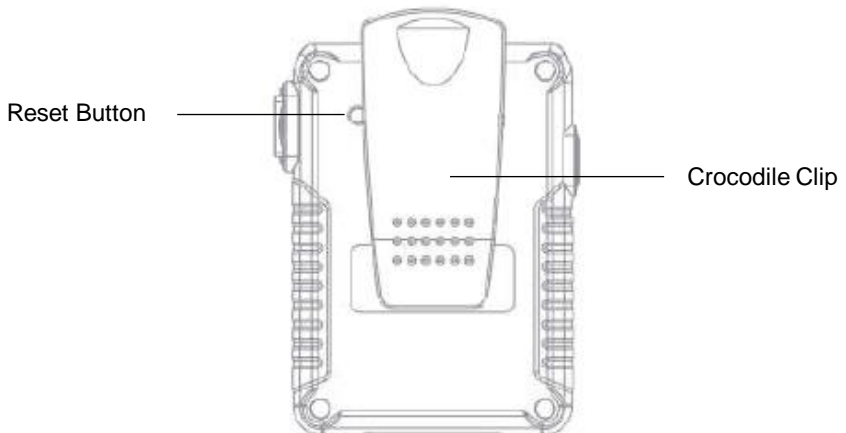
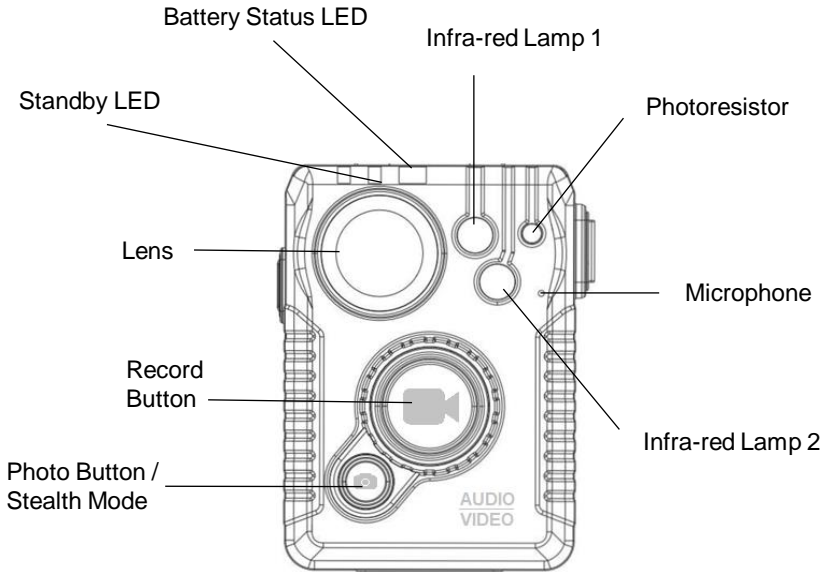


USER MANUAL

Table of Contents

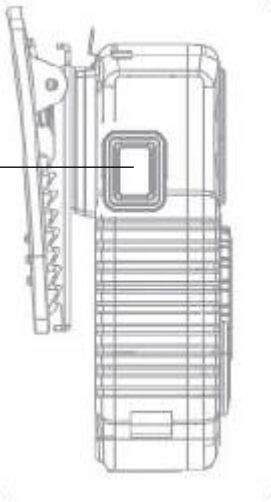
- [The Partner MK4 Hardware Layout](#)
- [Quick Use Guide](#)
- [Initial Setup](#)
- [The Partner MK4 Camera Manager](#)

The Partner MK4 Hardware Layout

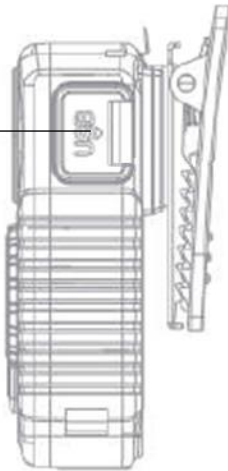


The Partner MK4 Hardware Layout

Power Button



USB C Port



Quick Use Guide

Power On

There are two ways to turn on the camera.

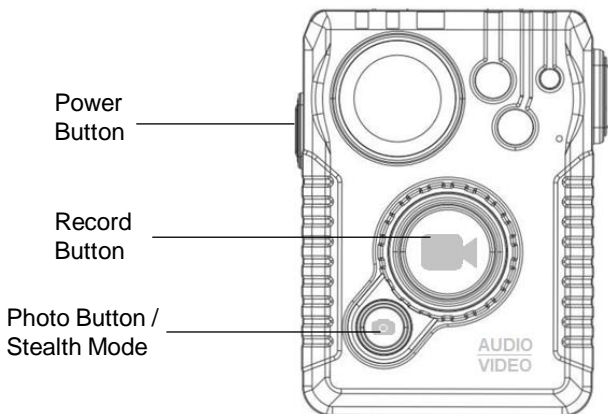
- 1.) Hold the Power Button for 3 seconds. It will turn on into standby mode.
- 2.) Hold the Power Button for 3 seconds. It will turn on and start recording.

Recording

Depending on what defaults you have set through the camera manager, you can start recording either by pressing the Record Button once or by double pressing it. The Partner MK4 must be in standby mode to do this. To turn off recording, hold the Record Button until you hear an audible beep or the LED goes from Red to Green.

Snapshot

To take a snapshot, simply press the Photo Button which is the smaller button next to the record button on the front of the camera.



Quick Use Guide

Stealth Mode

Activating Stealth mode will disable the LEDs on the top of the camera as well as the audio alarm for discreet recording and photos. You can do this by holding the Photo Button for 3 seconds. To deactivate Stealth Mode, hold the same button for another 3 seconds.

Powering Off

To turn off your Partner MK4 from standby, just hold the power button for 3 seconds. You should see all of the LEDs shutdown to show that the camera is powered-down and not in standby mode anymore.



Initial Setup

Essential Components

The Partner MK4 Body Worn Camera is a full professional video recording system that consists of several elements.

The body camera itself is the primary component, with the solo-dock, Camera Manager, DEMS Software and attachments all there to help you get the most from it.

The body camera will record video and take photos. The Camera Manager software is used to manage your preferred settings on the camera as well as unlock the internal storage to access the files. The crocodile clip and KlickFast attachment allow you to mount your device on your uniform or wherever convenient.

The solo-dock is used to download footage and to charge your Partner MK4 Body Camera.

The Digital Evidence Management Software (DEMS) is an optional extra that allows you to manage your footage complete with Audit Log and automatic de-encryption.

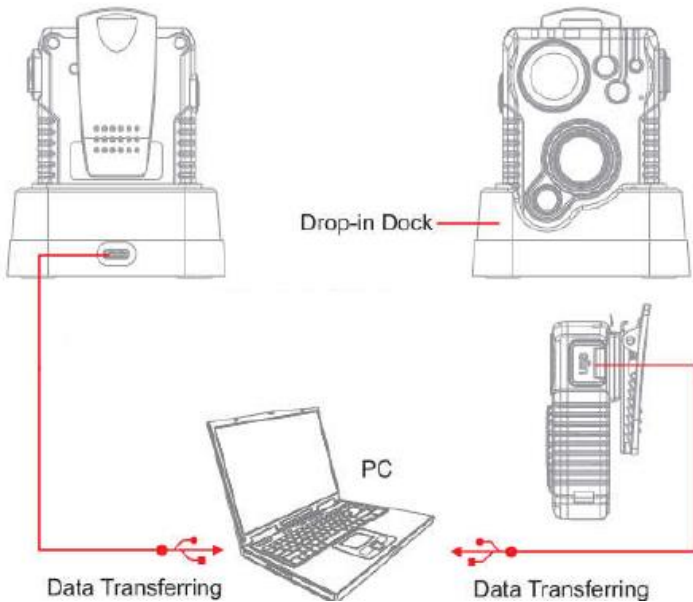
You will also need a PC or Laptop with a decent amount of storage to hold your footage. We recommend 1TB but how much you will require depends on how long you need to hold footage, how often you record and what resolution and encoding settings you choose. The Partner MK4 Camera Manager is compatible with Windows XP, VISTA, 7, 8 & 10.



Initial Set Up

Getting Started

Take your Partner MK4, Solo-Dock and USB cable out of the box. Plug the USB cable into a PC or Laptop and the smaller end into the back of the dock. Now insert your body camera into the solo-dock. You can also plug the camera directly into the computer using the provided USB.



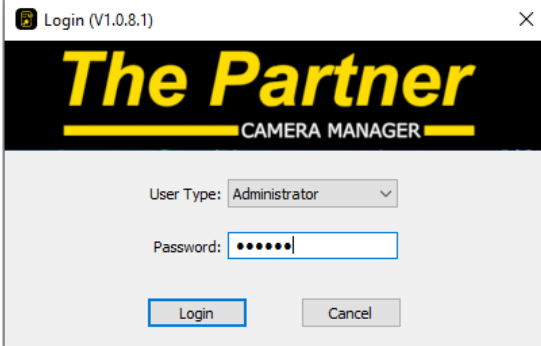
Using your included software USB, find the Camera Manager Installer and run it. Installing new software will require admin permissions so it may be worth contacting your I.T. team before hand.



The Partner MK4 Camera Manager

Logging In

Run your newly installed Partner MK4 Camera Manager and you will be greeted with a login screen. Select Administrator and enter the administrator password.



Login (V1.0.8.1)

The Partner
CAMERA MANAGER

User Type: Administrator

Password: ●●●●●●

Login Cancel

For your default password, please consult your Interconnective issued version of this manual.

We strongly recommend that once you login that you change the password right away. Please ensure that you keep the password safe as if you lose it, you will be required to send the camera back to us for unlocking.

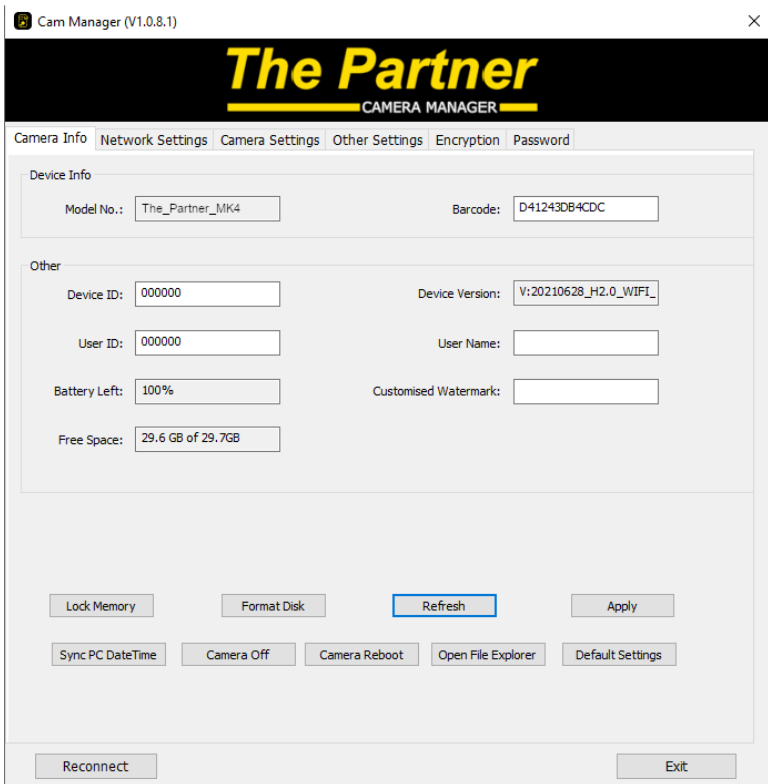
If you are using the DEMS software, it is better to restrict access to Camera Manager to authorised personal only as all general functions such as downloading footage can be done through there.



The Partner MK4 Camera Manager

Camera Info Tab

Once you have been logged in, you will see the Camera Info Screen. Here you can edit your watermark, access your internal memory and assign IDs, format the hard drive should you wish too.



The screenshot displays the 'Cam Manager (V1.0.8.1)' application window. The title bar includes a close button (X). The main header features the 'The Partner' logo in yellow and 'CAMERA MANAGER' in white on a black background. Below the header is a navigation menu with tabs: 'Camera Info' (selected), 'Network Settings', 'Camera Settings', 'Other Settings', 'Encryption', and 'Password'.

The 'Camera Info' tab contains the following fields and controls:

- Device Info:**
 - Model No.:
 - Barcode:
- Other:**
 - Device ID:
 - Device Version:
 - User ID:
 - User Name:
 - Battery Left:
 - Customised Watermark:
 - Free Space:

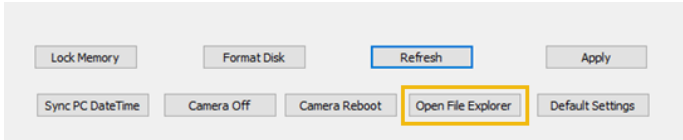
At the bottom of the interface, there are several buttons: 'Lock Memory', 'Format Disk', 'Refresh' (highlighted with a blue border), 'Apply', 'Sync PC Date/Time', 'Camera Off', 'Camera Reboot', 'Open File Explorer', 'Default Settings', 'Reconnect', and 'Exit'.



The Partner MK4 Camera Manager

How to Open the Internal Memory

In order to prevent unauthorised access to the internal storage, the Partner MK4 will not register as a drive option on your PC until you unlock the storage. To do this, you can click on Open File Explorer which will allow your standard windows explorer to recognise the drive.



This menu also lets you perform other administrative functions:

- 1) Lock memory – This will revert the camera to being unrecognised in file explorer to prevent downloads and access.
- 2) Format Disk – This will wipe all files currently on the camera and take it back to its basic state.
- 3) Refresh – Refresh will remove any changes in Camera Manager that have not yet been applied.
- 4) Sync Date/Time – Will sync the camera date/time to match that of your PC/Laptop.
- 5) Camera Off – Will turn off your camera
- 6) Camera Reboot – Will reboot your camera
- 7) Default Settings – Will return your camera to its' default state.



The Partner MK4 Camera Manager

Network Settings Tab

The network settings screen is for advanced users who use network enabled versions of The Partner MK4 body camera. The vast majority of users will not need to access this screen.

The screenshot shows the 'Network Settings' tab of the 'Cam Manager (V1.0.8.1)' application. The interface features a black header with the 'The Partner CAMERA MANAGER' logo. Below the header, there are several tabs: 'Camera Info', 'Network Settings', 'Camera Settings', 'Other Settings', 'Encryption', and 'Password'. The 'Network Settings' tab is active and contains the following sections:

- Network:** Fields for Device Name (The_Partner_MK4), Protocol (Off), Server Area (United Kingdom), Server URL, Server IP (192.168.0.1), Server Port (6608), Account, and Password. Includes 'Refresh' and 'Apply' buttons.
- WiFi:**
 - Universal Setting:** Link Mode (Off), Mode (AP), Connect Timeout (Off), MAC (D41243DB4CDC), Camera IP (192.168.42.1), Gateway (192.168.42.1).
 - AP Setting:** Channel (2.4G), Parameter (11), Link Number (5), SSID (The_Partner_MK4), Password.
 - STA Setting:** Auto Get IP (On), SSID (The_Partner_MK4), Password.
 - P2P:** PIN Code (12345678).Includes 'Refresh' and 'Apply' buttons.
- Bluetooth:** Link Mode (Off), Address (D41243DB4CDD), Pair Name, Pair MAC, Heart Rate (45-130). Includes 'Refresh' and 'Apply' buttons.
- 4G:** Link Mode (Off), SIM PIN, APN, APN username, APN Password. Includes 'Refresh' and 'Apply' buttons.

At the bottom of the screen, there are 'Reconnect' and 'Exit' buttons.



The Partner MK4 Camera Manager

Camera Settings Tab

The Camera Settings Screen is where you will be able to modify the majority of your Partner MK4 Body Camera's settings to meet your preference. From performance to notifications, volume, video settings and various notifications.

Cam Manager (V1.0.8.1)

The Partner

CAMERA MANAGER

Camera Info | Network Settings | **Camera Settings** | Other Settings | Encryption | Password

Main Resolution: 2560*1440(P30)	Image Quality: High
Streaming Resolution: 432*240	Streaming Bitrate: 1000kbs
Streaming Frame Rate: 25FPS	Mute Recording: Off
Streaming Control: AV	Video Splitter: 15 min
Recording Notification: Off	Pre Record: Off
Post Record: Off	Web Server: Off
Photo Size: 32M	Timelapse: Off
Photo Quality: High	Volume: 5
Burst Mode: Off	Display Brightness: 10
Selfie Mode: Off	File Tagging: Normal
TV Out: PAL	Auto Power Off: 30 min
Time Zone: UTC+0.0	Date Format: DD-MM-YYYY
Auto IR: Off	Audio Prompt: Beep
IR Sensitivity: 5	LCD Auto Off: OFF
Encoding Format: H265	Charge: Fast Charge
Video EIS: Off	Double Click Record: On

GPS: <input checked="" type="checkbox"/> On	Power on Auto-Record: <input type="checkbox"/> On	Clock Prompt: <input type="checkbox"/> On
Key Tone: <input checked="" type="checkbox"/> On	Auto Update Time: <input checked="" type="checkbox"/> On	Vibration Prompt: <input checked="" type="checkbox"/> On
Enhanced Standby: <input type="checkbox"/> On	Dash Camera Mode: <input type="checkbox"/> On	Motion Detection: <input type="checkbox"/> On
LED Indicator: <input checked="" type="checkbox"/> On	Loop Recording: <input type="checkbox"/> On	Low Space Warning: <input checked="" type="checkbox"/> On
Stealth Mode: <input checked="" type="checkbox"/> On	Low Battery Warning: <input checked="" type="checkbox"/> On	

Refresh Apply

Reconnect Exit



The Partner MK4 Camera Manager

Camera Info	Network Settings	Camera Settings	Other Settings	Encryption	Password
Main Resolution:	1920*1080(P60)	▼	Image Quality:	High	▼
Streaming Resolution:	432*240	▼	Streaming Bitrate:	1000Kbs	▼
Streaming Frame Rate:	25FPS	▼	Mute Recording:	Off	▼
Streaming Control:	AV	▼	Video Splitter:	15 min	▼

- 1) Main Resolution – Controls the resolution of the recordings. The P Number indicates frame rate per second. Remember that the higher the quality, the quicker that your memory and battery will be used up. With regards to battery life:
 - i. At 1080p you can get up to 12 hours of continuous recording
 - ii. At 720p you can get up to 13 Hours of continuous recording

- 2) Image Quality – Let's you adjust how high the quality of snapshot photos taken by the camera are.

- 3) Streaming Resolution/Bitrate/Frame Rate/Control – These settings are for streaming functionality which will be implemented in later models of The Partner Cameras

- 4) Mute Recording – Turns off audio record for the footage taken or just the Pre-recorded footage to save battery if required. Mute Recording must be set to Off to also record audio.

- 5) Video Splitter – Let's you choose the individual file length of each recording before a new one is created.



The Partner MK4 Camera Manager

Recording Notification:	Off	Pre Record:	Off
Post Record:	Off	Web Server:	Off
Photo Size:	32M	Timelapse:	Off
Photo Quality:	High	Volume:	5
Burst Mode:	Off	Display Brightness:	10

- 6) Recording Notification – Let's you set an audio alert that will beep at regular intervals to let other know that you are recording
- 7) Pre Record – Allows you to choose how long you want the Pre-Record function to hold footage in its buffer for. The longer the Pre-Record, the great the drain on battery life.
- 8) Web Server – Will be applicable to future models with wifi-connectivity but not applicable for this model.
- 9) Photo Size – The number of pixels you want your snapshots recorded in. This is measured in megapixels.
- 10) Timelapse – Allows you to have the camera continuously taking photos at set intervals once you have pressed the Photo Button. To stop taking photos, you would have to press the Photo Button again. If there is a conflict between Burst settings and this. Burst will take priority.
- 11) Photo Quality – Allows you to choose the quality of your photos from 3 presets, Low, Medium and High. This refers to the bitrate of the photo.
- 12) Volume – This refers to the volume of the camera when it makes Audio alerts. This is the camera speaker volume and not the recording volume, 1 is the lowest setting with 0 being mute.
- 13) Burst Mode – Allows you to set the number of photos taken successively after the Photo Button is pressed.
- 14) Display Brightness – This is not applicable to the Partner MK4.



The Partner MK4 Camera Manager

Selfie Mode:	Off	▼	File Tagging:	Normal	▼
TV Out:	PAL	▼	Auto Power Off:	30 min	▼
Time Zone:	UTC+0.0	▼	Date Format:	DD-MM-YYYY	▼
Auto IR:	Off	▼	Audio Prompt:	Beep	▼

- 15) Selfie Mode – This is essentially a delayed Snapshot function that allows the camera to take photos of the user. You can select a duration on the drop down which will be the time between the Photo Button being pressed and the picture actually being taken. The camera will countdown by beeping.
- 16) File Tagging – Allows you to tag video footage with a number of presets for organisational purposes. Mainly used by Police Forces.
- 17) TV Out – Refers to a colour output system, any users not in North America should keep this as PAL
- 18) Auto Power Off - You can set the Partner MK4 body camera to turn off if it has been left in standby too long. It will only switch off in standby mode, not while recording.
- 19) Time Zone – Let's you choose your time-zone
- 20) Date Format - Let's you choose your date format
- 21) Auto IR: Let's you choose when automatic infra-red activates. Infra-red allows your to film in the dark. Having auto-IR always active can be a minor battery draw so you can choose whether to limit this. Sensitivity for when it kicks in is set under IR Sensitivity. IR Footage records in Grey Scale.
- 22) Audio Prompt – This is not applicable for the Partner MK4



The Partner MK4 Camera Manager

IR Sensitivity:	5	▼	LCD Auto Off:	OFF	▼
Encoding Format:	H265	▼	Charge:	Fast Charge	▼
Video EIS:	Off	▼	Double Click Record:	On	▼

- 23) IR Sensitivity – This determines how low the light conditions in an area need to be before the automatic Infra-Red kicks in. The higher the sensitivity, the sooner it will activate as you start moving from light to darkness. If you only wish to activate it in complete darkness, you would set the sensitivity to a lower number.
- 24) LCD Auto Off – Not Applicable to The Partner MK4
- 25) Encoding Format – The Partner MK4 is capable of using either H.265 or H.264 encoding. It is recommended that you use H.265 as this will greatly reduce the storage requirements per minute of footage.
- With H.265 your 32GB Storage can hold up to 11 hours at 1080p, 17 Hours at 720p
 - With H.264 your 32GB Storage can hold up to 6 hours at 1080p, 8.5 hours at 720p
- 26) Charge – Determines the charging state, it is always recommended to have this on Fast Charge.
- 27) Video EIS – This refers to electronic image stabilisation. If this is active, your recordings will be more stable. There is a slight power draw in having it active.
- 28) Double Click Record – If this is active, you will need to press the Record Button twice rapidly to start recording as opposed to once.



The Partner MK4 Camera Manager

GPS:	<input checked="" type="checkbox"/> On	Power on Auto-Record:	<input type="checkbox"/> On	Clock Prompt:	<input type="checkbox"/> On
Key Tone:	<input checked="" type="checkbox"/> On	Auto Update Time:	<input checked="" type="checkbox"/> On	Vibration Prompt:	<input checked="" type="checkbox"/> On
Enhanced Standby:	<input type="checkbox"/> On	Dash Camera Mode:	<input type="checkbox"/> On	Motion Detection:	<input type="checkbox"/> On
LED Indicator:	<input checked="" type="checkbox"/> On	Loop Recording:	<input type="checkbox"/> On	Low Space Warning:	<input checked="" type="checkbox"/> On
Stealth Mode:	<input checked="" type="checkbox"/> On	Low Battery Warning:	<input checked="" type="checkbox"/> On		
<input type="button" value="Refresh"/>			<input type="button" value="Apply"/>		

- 31) GPS – Allows you to activate/deactivate the GPS module in the camera and GPS tagging on video footage.
- 32) Power on Auto-Record – If you use the Record Button to turn on the camera, do you want it to automatically start recording? This will not affect activation from the Power Button.
- 33) Clock Prompt – Not Applicable for The Partner MK4
- 34) Key Tone - Not Applicable for The Partner MK4
- 35) Auto Update Time – Activating this will use the MK4's GPS module to automatically sync time meaning that you do not have to do it yourself.
- 36) Vibration Prompt – This will activate/deactivate the vibration function on the camera. This means for standard alerts and even Stealth Mode, there will be no vibration alert if unchecked.
- 37) Enhanced Standby – Enhanced Standby is essentially a sleep mode instead of the camera being fully powered off. The camera will do so after 1 minute of being idle. You just need to press the Record Button or Power Button once to bring it to normal standby rather than holding them and waiting for it to power up.
- 38) Dash Camera Mode – Dashcam Mode will make your camera start recording continuously the moment it is plugged in to a power source such as a car charger.



The Partner MK4 Camera Manager

GPS:	<input checked="" type="checkbox"/> On	Power on Auto-Record:	<input type="checkbox"/> On	Clock Prompt:	<input type="checkbox"/> On
Key Tone:	<input checked="" type="checkbox"/> On	Auto Update Time:	<input checked="" type="checkbox"/> On	Vibration Prompt:	<input checked="" type="checkbox"/> On
Enhanced Standby:	<input type="checkbox"/> On	Dash Camera Mode:	<input type="checkbox"/> On	Motion Detection:	<input type="checkbox"/> On
LED Indicator:	<input checked="" type="checkbox"/> On	Loop Recording:	<input type="checkbox"/> On	Low Space Warning:	<input checked="" type="checkbox"/> On
Stealth Mode:	<input checked="" type="checkbox"/> On	Low Battery Warning:	<input checked="" type="checkbox"/> On		
<input type="button" value="Refresh"/>			<input type="button" value="Apply"/>		

- 39) Motion Detection – This allows The Partner MK4 to be used as a makeshift security camera that will activate when there is motion within its' field of view. Once checked, start recording and it will capture footage until not more motion has been detected for 10 seconds.
- 40) LED Indicator – Unchecking this will turn off all LED notifications on the device including the battery indicator and record notifications.
- 41) Loop Recording – When activated, The Partner MK4 will automatically overwrite the oldest footage once storage starts to run out. This means that you do not need to delete footage off the camera but will drastically lower how long you can keep footage for if you are not regularly downloading it.
- 42) Low Space Warning – Check this box to have audio alerts begin when you are running out of storage space.
- 43) Stealth Mode – Allow the activation of Stealth Mode by holding the Photo Button.
- 44) Low Battery Warning – Check this box to have audio alerts begin when you are running out of storage space.



The Partner MK4 Camera Manager

Encryption Screen

The Partner MK4 Body Camera supports AES 256 Encryption. This means that once enabled, all footage that is recorded by the camera will be encrypted. Encrypted footage cannot be played or viewed unless it has undergone de-encryption.

If you plan to use encryption on your camera, we strongly recommend getting the Partner MK4 DEMS Software as individually de-encrypting files can be quite laborious. The DEMS software does this automatically.

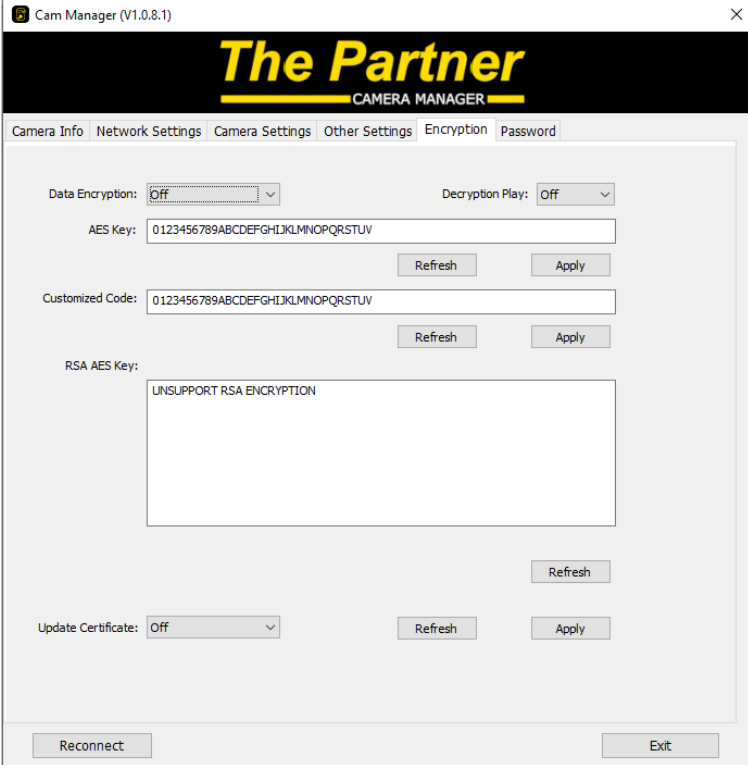
To encrypt footage, got to the Encryption Tab.

Data Encryption:	<input type="text" value="Off"/>	Decryption Play:	<input type="text" value="Off"/>
AES Key:	0123456789ABCDEFHGIJKLMNOPQRSTU		
		<input type="button" value="Refresh"/>	<input type="button" value="Apply"/>
Customized Code:	0123456789ABCDEFHGIJKLMNOPQRSTU		
		<input type="button" value="Refresh"/>	<input type="button" value="Apply"/>
RSA AES Key:	<div style="border: 1px solid black; padding: 5px; min-height: 100px;">UNSUPPORT RSA ENCRYPTION</div>		
Update Certificate:	<input type="text" value="Off"/>	<input type="button" value="Refresh"/>	<input type="button" value="Apply"/>



The Partner MK4 Camera Manager

Click on Data Encryption and select File Encryption. All footage recorded will now be encrypted. If you are not an advanced user, we do not suggest trying to alter the encryption key or use a custom key.



The screenshot shows the 'Cam Manager (V1.0.8.1)' application window. The title bar includes a close button. The main header features the 'The Partner CAMERA MANAGER' logo. Below the header is a navigation menu with tabs: 'Camera Info', 'Network Settings', 'Camera Settings', 'Other Settings', 'Encryption', and 'Password'. The 'Encryption' tab is active. The interface contains several sections:

- Data Encryption:** A dropdown menu set to 'Off' and a 'Decryption Play' dropdown menu set to 'Off'.
- AES Key:** A text input field containing '0123456789ABCDEF GHIJKLMNOPQRSTU V' with 'Refresh' and 'Apply' buttons below it.
- Customized Code:** A text input field containing '0123456789ABCDEF GHIJKLMNOPQRSTU V' with 'Refresh' and 'Apply' buttons below it.
- RSA AES Key:** A text area containing 'UNSUPPORT RSA ENCRYPTION' with a 'Refresh' button below it.
- Update Certificate:** A dropdown menu set to 'Off' with 'Refresh' and 'Apply' buttons below it.

At the bottom of the window are 'Reconnect' and 'Exit' buttons.



The Partner MK4 Camera Manager

Other Settings Tab

The other settings screen is mainly for Tech Support and R&D use. There is nothing here that you would need during normal operation. It is recommended that you do not adjust these settings.

Cam Manager (V1.0.8.1)

The Partner

CAMERA MANAGER

Camera Info | Network Settings | Camera Settings | **Other Settings** | Encryption | Password

Buzzer

Number of Rings: Duration(Milliseconds)

Note: the number of rings is 0-255, and 0 turns off the bell.

Led

Led: State:

Time Out(0-120000 Milliseconds):



The Partner MK4 Camera Manager

Password

From this tab you can control the password settings for both Administrators and General Users.

Ensure that this password is kept somewhere secure as if you forget it, you will need to send the camera in to Interconnective to be unlocked where fees may apply.

The screenshot shows the 'Cam Manager (V1.0.8.1)' application window. The title bar includes the application name and a close button. The main header features the 'The Partner' logo in yellow and 'CAMERA MANAGER' in white on a black background. Below the header is a navigation menu with tabs: 'Camera Info', 'Network Settings', 'Camera Settings', 'Other Settings', 'Encryption', and 'Password'. The 'Password' tab is selected. The main content area is titled 'Change Password' and contains a form with the following elements: a 'User Type' dropdown menu set to 'General User', three text input fields for 'Admin Login Password', 'New Password', and 'Reenter New Password', and an 'Apply' button. At the bottom of the window, there are 'Reconnect' and 'Exit' buttons.



Spec Sheet

Size and Weight	
Dimensions	8.15cm x 5.8cm x 2.37cm
Weight	140g
Alerts and Indicators	
3 Colour LED Indicator for Camera Status	
3 Colour LED Indicator for Battery Level	
Programmable Audio Alarm	
Programmable Vibration Buzzer	
Durability	
IP67 Rating	Drop Tested to 1.8m
Video/Audio/Photo	
Coding: H.265/H.264	Lens Angle: 140 Degrees
Video Resolution	1440p/1080p/720p/480p
Video Format	MP4
Picture Format	JPEG
Audio Format	AAC
EIS	6 Axis Image Stabiliser
Security Features	
File Encryption	AES256 Encryption
Camera Manager Password Protection	Yes
DEMS Password Protection	Yes
Battery	
Recording Time	1080p/12 Hours, 720p/13 Hours, 480p/15 Hours
Standby Time	100+ Hours
Battery Type	3200mAh Lithium Polymer
Charging Time	4 Hours
Storage	
Internal Storage	32GB
Storage Capacity (H.265)	1080p/11 Hours, 720p/17 Hours
Storage Capacity (H.264)	1080p/6 Hours, 720p/8.5 Hours
Watermark	
User ID	Yes
Device ID	Yes
Date/Time	Yes
Geo-Tag	Yes
Customisable Strings	Yes

