

PETER JONES (ILG) LTD.

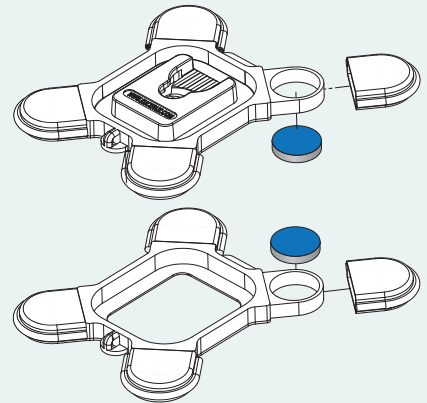


Introducing **MAGNET MOUNT**

the latest garment mount accessory from Peter Jones (ILG) Ltd that lets you add a KlickFast Dock in seconds, and remove it just as quickly. Magnets hold the device in place; no stitching or screwing required.



Magnet Mount gains its grip from eight magnets, four in each half.



Supplied without magnets. Suitable magnets can be either metric (20 x 5mm) or imperial (3/4" x 1/4"). For imperial kits order **DOCKMAGNETIMPKIT** For metric kits order **DOCKMAGNETMETRICKIT**

Magnet Mount grips instantly and securely onto shirts, jackets and so much more.

